

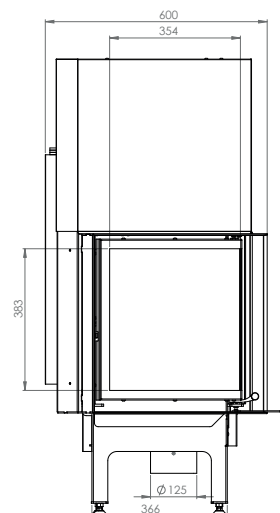
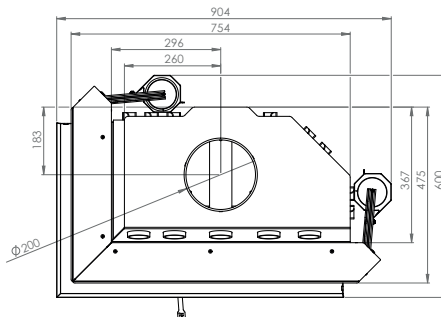
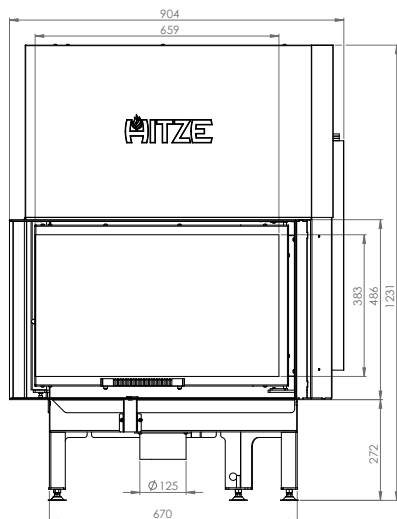
NATURAL HEATING

PRODUCT INFORMATION

- Insert coat made of boiler steel, with thickness of 3 mm, P265GH grade in accordance with EN 10028-2
- Steel doors made of special profile, guaranteeing rigidity and high-temperature resistance.
- Heat-resistant ceramic glass with working temperatures of up to 800 ° C.
- Steel base of insert fitted with an intake throttle of outside cold air.
- Insert equipped with air curtain, to guarantee the maintenance of a substantially pure glass effect.
- Specially designed rear part of the body, designed for secondary air supply to the upper part of the furnace. Allows to increase the efficiency of the device by after-burning the exhaust fumes.

LEFT-SIDED HORIZONTAL FIREPLACE INSERT WITH A GUILLOTINE DOOR **ALBERO AL14LG.H**

Nominal power (kW)	14
Heating load range (kW)	7-16
Flue diameter (mm)	200
Heat performance (%)	82,9
CO emission (with 13% O ₂)	0,068
Dust emission (g/m ³)	0,032
Exhaust emission (°C)	253
Weight (kg)	210
Log maximum length (cm)	40
Material	boiler steel with thickness of 3 mm P265GH
Fuel Type	hardwood, briquettes, lignite
Min. Active field of exhaust grilles (cm ²)	1000
Min. Active field of intake grilles (cm ²)	800
Size of fireplace glass (mm)	680 x 430 x 375



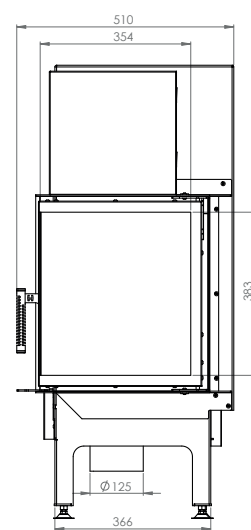
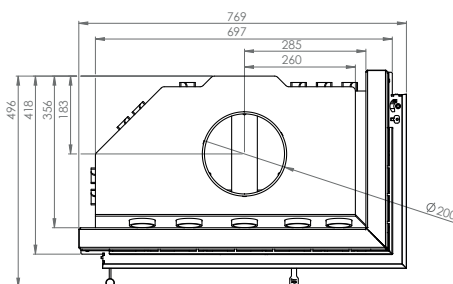
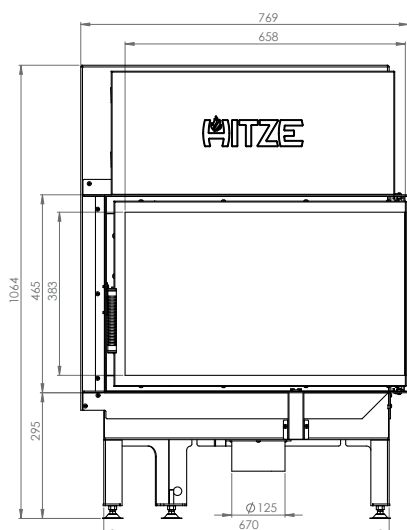
NATURAL HEATING

PRODUCT INFORMATION

- Insert coat made of boiler steel, with thickness of 3 mm, P265GH grade in accordance with EN 10028-2
- Steel doors made of special profile, guaranteeing rigidity and high-temperature resistance.
- Heat-resistant ceramic glass with working temperatures of up to 800 ° C.
- Steel base of insert fitted with an intake throttle of outside cold air.
- Insert equipped with air curtain, to guarantee the maintenance of a substantially pure glass effect.
- Specially designed rear part of the body, designed for secondary air supply to the upper part of the furnace. Allows to increase the efficiency of the device by after-burning the exhaust fumes.

RIGHT-SIDED HORIZONTAL FIREPLACE INSERT **ALBERO AL14R.H**

Nominal power (kW)	14
Heating load range (kW)	7-16
Flue diameter (mm)	200
Heat performance (%)	82,9
CO emission (with 13% O ₂)	0,068
Dust emission (g/m ³)	0,032
Exhaust emission (°C)	253
Weight (kg)	148
Log maximum length (cm)	40
Material	boiler steel with thickness of 3 mm P265GH
Fuel Type	hardwood, briquettes, lignite
Min. Active field of exhaust grilles (cm ²)	1000
Min. Active field of intake grilles (cm ²)	800
Size of fireplace glass (mm)	680 x 430 x 375



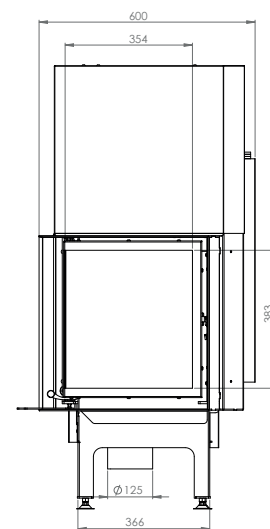
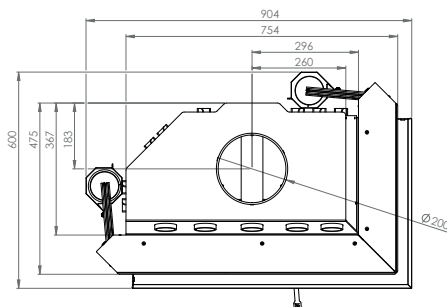
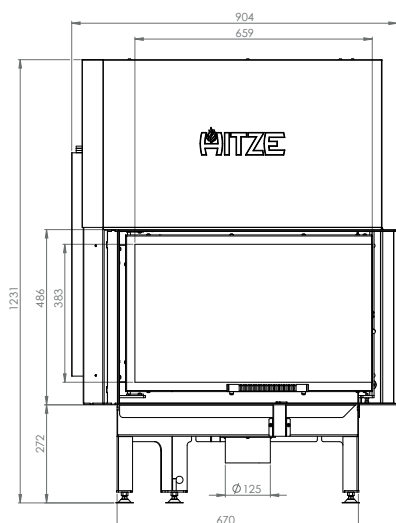
NATURAL HEATING

PRODUCT INFORMATION

- Insert coat made of boiler steel, with thickness of 3 mm, P265GH grade in accordance with EN 10028-2
- Steel doors made of special profile, guaranteeing rigidity and high-temperature resistance.
- Heat-resistant ceramic glass with working temperatures of up to 800 ° C.
- Steel base of insert fitted with an intake throttle of outside cold air.
- Insert equipped with air curtain, to guarantee the maintenance of a substantially pure glass effect.
- Specially designed rear part of the body, designed for secondary air supply to the upper part of the furnace. Allows to increase the efficiency of the device by after-burning the exhaust fumes.

RIGHT-SIDED HORIZONTAL FIREPLACE INSERT WITH A GUILLOTINE DOOR **ALBERO AL14RG.H**

Nominal power (kW)	14
Heating load range (kW)	7-16
Flue diameter (mm)	200
Heat performance (%)	82,9
CO emission (with 13% O ₂)	0,068
Dust emission (g/m ³)	0,032
Exhaust emission (°C)	253
Weight (kg)	210
Log maximum length (cm)	40
Material	boiler steel with thickness of 3 mm P265GH
Fuel Type	hardwood, briquettes, lignite
Min. Active field of exhaust grilles (cm ²)	1000
Min. Active field of intake grilles (cm ²)	800
Size of fireplace glass (mm)	680 x 430 x 375



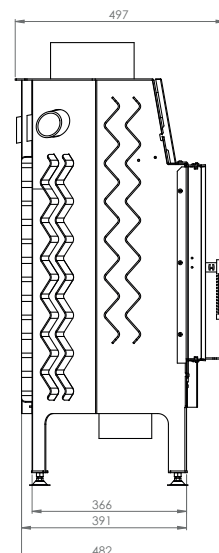
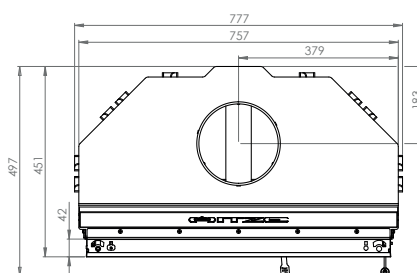
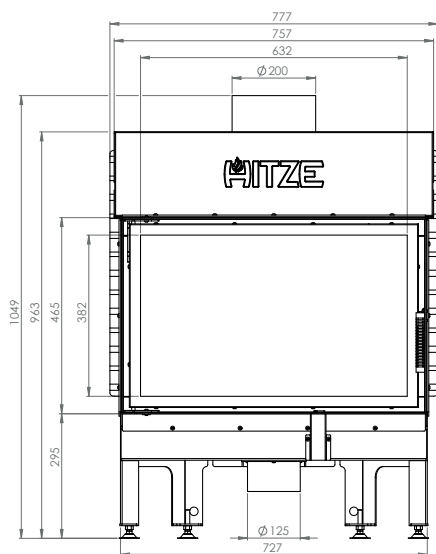
NATURAL HEATING

PRODUCT INFORMATION

- Insert coat made of boiler steel, with thickness of 3 mm, P265GH grade in accordance with EN 10028-2
- Steel doors made of special profile, guaranteeing rigidity and high-temperature resistance.
- Heat-resistant ceramic glass with working temperatures of up to 800 ° C.
- Steel base of insert fitted with an intake throttle of outside cold air.
- Insert equipped with air curtain, to guarantee the maintenance of a substantially pure glass effect.
- Specially designed rear part of the body, designed for secondary air supply to the upper part of the furnace. Allows to increase the efficiency of the device by after-burning the exhaust fumes.

STANDARD HORIZONTAL FIREPLACE INSERT **ALBERO AL14S.H**

Nominal power (kW)	14
Heating load range (kW)	7-16
Flue diameter (mm)	200
Heat performance (%)	82,9
CO emission (with 13% O ²)	0,068
Dust emission (g/m ³)	0,032
Exhaust emission (°C)	241
Weight (kg)	142
Log maximum length (cm)	40
Material	boiler steel with thickness of 3 mm P265GH
Fuel Type	hardwood, briquettes, lignite
Min. Active field of exhaust grilles (cm ²)	1000
Min. Active field of intake grilles (cm ²)	800
Size of fireplace glass (mm)	680 x 430



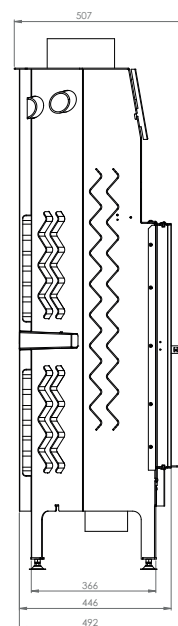
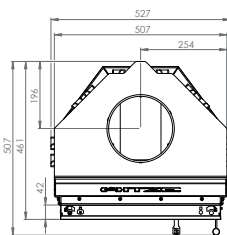
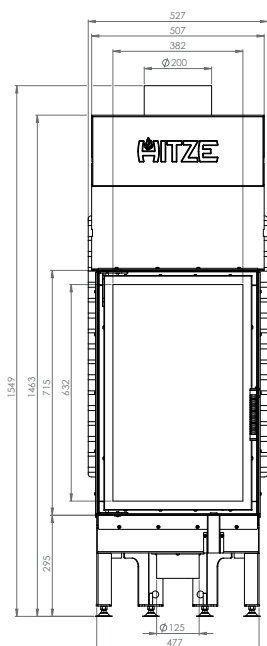
NATURAL HEATING

PRODUCT INFORMATION

- Insert coat made of boiler steel, with thickness of 3 mm, P265GH grade in accordance with EN 10028-2
- Steel doors made of special profile, guaranteeing rigidity and high-temperature resistance.
- Heat-resistant ceramic glass with working temperatures of up to 800 ° C.
- Steel base of insert fitted with an intake throttle of outside cold air.
- Insert equipped with air curtain, to guarantee the maintenance of a substantially pure glass effect.
- Specially designed rear part of the body, designed for secondary air supply to the upper part of the furnace. Allows to increase the efficiency of the device by after-burning the exhaust fumes.

STANDARD VERTICAL FIREPLACE INSERT ALBERO AL14S.V

Nominal power (kW)	14
Heating load range (kW)	7-16
Flue diameter (mm)	200
Heat performance (%)	83,5
CO emission (with 13% O ₂)	0,085
Dust emission (g/m ³)	0,037
Exhaust emission (°C)	261
Weight (kg)	146
Log maximum length (cm)	40
Material	boiler steel with thickness of 3 mm P265GH
Fuel Type	hardwood, briquettes, lignite
Min. Active field of exhaust grilles (cm ²)	1000
Min. Active field of intake grilles (cm ²)	800
Size of fireplace glass (mm)	680 x 430



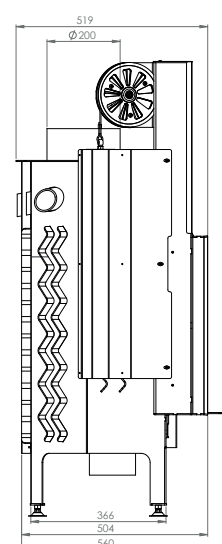
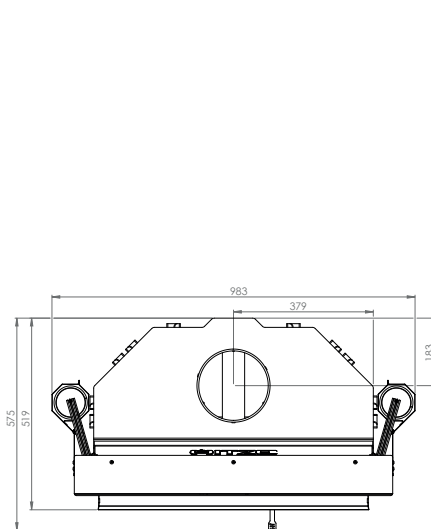
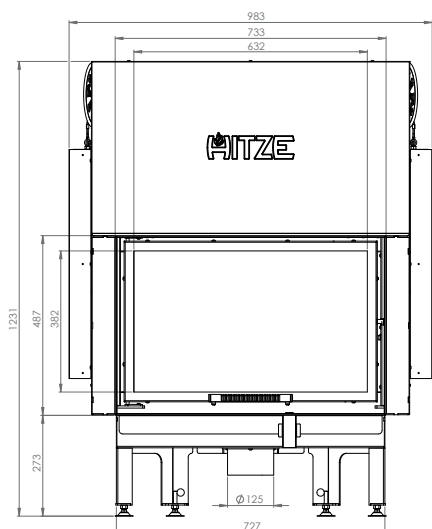
NATURAL HEATING

PRODUCT INFORMATION

- Insert coat made of boiler steel, with thickness of 3 mm, P265GH grade in accordance with EN 10028-2
- Steel doors made of special profile, guaranteeing rigidity and high-temperature resistance.
- Heat-resistant ceramic glass with working temperatures of up to 800 ° C.
- Steel base of insert fitted with an intake throttle of outside cold air.
- Insert equipped with air curtain, to guarantee the maintenance of a substantially pure glass effect.
- Specially designed rear part of the body, designed for secondary air supply to the upper part of the furnace. Allows to increase the efficiency of the device by after-burning the exhaust fumes.

HORIZONTAL FIREPLACE INSERT WITH A GUILLOTINE DOOR **ALBERO AL14G.H**

Nominal power (kW)	14
Heating load range (kW)	7-16
Flue diameter (mm)	200
Heat performance (%)	82,9
CO emission (with 13% O ²)	0,068
Dust emission (g/m ³)	0,032
Exhaust emission (°C)	253
Weight (kg)	196
Log maximum length (cm)	40
Material	boiler steel with thickness of 3 mm P265GH
Fuel Type	hardwood, briquettes, lignite
Min. Active field of exhaust grilles (cm ²)	1000
Min. Active field of intake grilles (cm ²)	800
Size of fireplace glass (mm)	680 x 430



NATURAL HEATING

PRODUCT INFORMATION

- Insert coat made of boiler steel, with thickness of 3 mm, P265GH grade in accordance with EN 10028-2
- Steel doors made of special profile, guaranteeing rigidity and high-temperature resistance.
- Heat-resistant ceramic glass with working temperatures of up to 800 ° C.
- Steel base of insert fitted with an intake throttle of outside cold air.
- Insert equipped with air curtain, to guarantee the maintenance of a substantially pure glass effect.
- Specially designed rear part of the body, designed for secondary air supply to the upper part of the furnace. Allows to increase the efficiency of the device by after-burning the exhaust fumes.

LEFT-SIDED HORIZONTAL FIREPLACE INSERT ALBERO AL14L.H

Nominal power (kW)	14
Heating load range (kW)	7-16
Flue diameter (mm)	200
Heat performance (%)	82,9
CO emission (with 13% O ²)	0,068
Dust emission (g/m ³)	0,032
Exhaust emission (°C)	253
Weight (kg)	148
Log maximum length (cm)	40
Material	boiler steel with thickness of 3 mm P265GH
Fuel Type	hardwood, briquettes, lignite
Min. Active field of exhaust grilles (cm ²)	1000
Min. Active field of intake grilles (cm ²)	800
Size of fireplace glass (mm)	680 x 430 x 375

